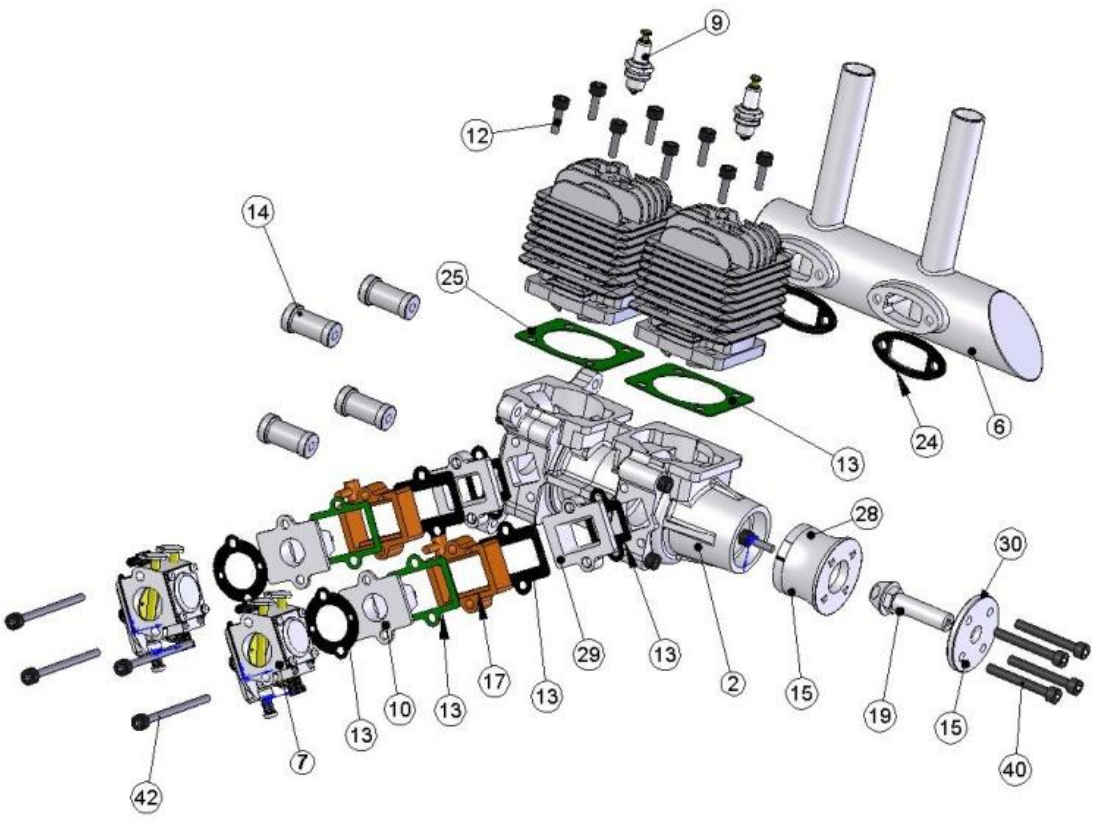
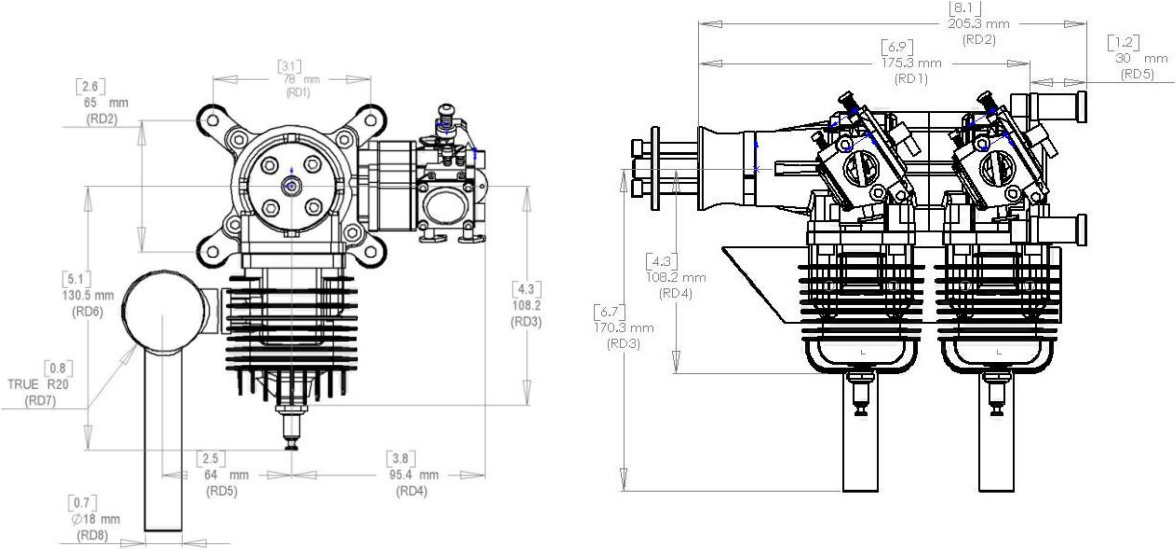


Technical Notes: **DLA 64cc -I2, In-Line** Gas Engine



Specifications:

DLA 64cc-I2

(3.91 in³) Gas Engine

Power: 7.4 HP @ 6,600 rpm
 Displacement: 64 cc (3.91 in³)
 Idle Speed: ~ 1,200 – 1,450 rpm
 Static Thrust: 34.4 pounds @ 100 m (~ 328 ft Altitude) (Pulling Force)
 30.4 pounds @ 1800 m (~5,900 ft Altitude)
 Propellers (Recommended): 22 x 10, 23 x 8/10, 24 x 8
 RPM Range: ~1,200 to ~6,800 rpm
 Carburetor: Walbro™, (Typ: HAC), Diaphragm Pump, 2 each
 Spark Plug: CM-6 Iridium Special, (2 ea)
 Muffler Volume: ~ 140 cc (8.54 in³)
 Cylinder Diameter (Bore) Stroke: 37.0 mm / 30 mm (1.46 in / 1.18 in)
 Compression Ratio: 7.8 : 1
 Gas: 87 – 89 Octane, unleaded, (“Regular”)
 Gas : Oil Ratios: 30:1 – 40:1 Break-in Trial Run; 38:1 – 50 : 1 Normal Flying
 Weights: Engine: 77.0 oz, Muffler: 4.0 oz, Ignitions (2) 4.6 oz ea
 (Total: 90.2 oz = 5.64 lbs)
 Ignition: Fully Advancing, Auto, Capacitive Discharge Ignition
 Ignition Power: 6.6 to 8.4 VDC, 2S – LiPo Unregulated

Support Information:

Ignition Battery: 2-S, LiPo, (1,300 to 2,100 mAh Typical) un-regulated.
 6-S, 7.2 VDC, NiMH, (2,100 mAh Typical)
 Break-in Propeller (Suggested) 23 x 10
 Intake Manifold: 2-Leaf Reed Valve, V-Configuration, 2 each
 Items Included in Retail Pkg: Engine, Muffler (1) / Gasket & Bolts, CD Ignition (2 ea),
 Sparkplug (2), Stand-off Mounts (Machined), Operations
 Manual (on Website), Bolts–Mounting, Spiral-Nylon Wire Sleeve

| | Mount Dimensions | | Mounting Bolts | Stand-Off Mounts | Prop Bolts | Muffler Bolts |
|-------------|------------------|--------|-------------------|------------------|----------------------|-------------------|
| | X (mm) | Y (mm) | | | | |
| DLA 64cc-I2 | 78 | 65 | 5.0 x 0.8 - 60 mm | 13 OD x 30 L mm | 5.0 x 0.8 – 40-45 mm | 5.8 x 0.8 - 16 mm |

Suggested Items:

| | |
|---|----------------------------------|
| Gas Tank | (Pilot's Choice) |
| Fuel Point™ | (From Golden Skies R/C) |
| Gas Line | (From Golden Skies R/C) |
| Ignition Kill Switch | (From Golden Skies R/C) |
| Propeller | Sail, Falcon, Xoar, From GS-R/C) |
| 2-Cycle Oil | (Pilot's Choice) |
| Gas Line Filter | (Pilot's Choice) |
| Mounting Template | (From Golden Skies R/C) |
| Propeller Drill-bit Guide | (From Golden Skies R/C) |
| Torque Wrench | (Pilot's Choice) |
| Spinner | (From Golden Skies R/C) |
| Battery, Ignition | (Pilot's Choice) |
| Tachometer | (From Golden Skies R/C) |